

**SPIKECAM Body Camera  
USER MANUAL**

**Model: A1**

**<https://www.spikecam.com>**



Dear Valued Customer,

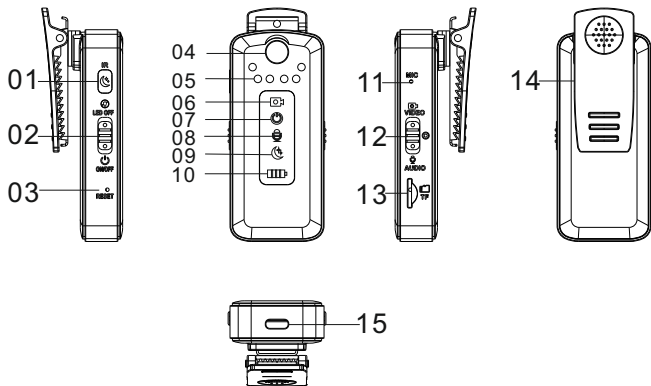
Thank you for choosing our product. The A1 is a new body camera from SPIKECAM featuring audio, video recording, and night vision capabilities, with up to 8 hours of continuous video recording time. You can easily play back the recorded videos on your computer using Type C cable. To ensure proper use of this product, please carefully read the manual and keep it for future reference. For your convenience, we have prepared a short video tutorial that can be accessed by visiting <https://www.spikecam.com/a1> or by scanning the QR code below. If you have any questions, please don't hesitate to contact our customer service at [info@spikecam.com](mailto:info@spikecam.com). We will respond within 24 hours. Thank you for choosing SPIKECAM.

Best regards,  
The SPIKECAM Team



Scan to watch training video  
<https://www.spikecam.com/a1>

## Diagram



- 01 Night Vision Button
- 02 Power Slider(Stealth Mode)
- 03 Reset Hole
- 04 Camera Lens
- 05 Infrared LEDs
- 06 Video LED
- 07 Power LED
- 08 Audio LED

- 09 Night Vision LED
- 10 Battery LEDs
- 11 Microphone
- 12 Video & Audio Slider
- 13 TF Card Slot
- 14 Back Clip
- 15 USB Type C Port

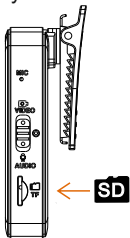
# Specification

RECORDING	
Video Resolution	1080P/ 720P
Video Format	.AVI
Recording Angle	130 degrees
Audio	High Quality Built-in Microphone
Water Mark	Time and Date Stamp Embedded into Video
Video Duration	3/5/10 Mins
Audio Format	WAV
BATTERY	
Type	Built-in 1200mAH Lithium
Charging Time	120 minutes
Battery Life	8 Hours for A1 and 12 Hours for A1 Pro
OTHERS	
Storage Capacity	32 to 512GB(Depending on your version)
IR LED Lights	6 Pcs 850nm High Power Infrared LEDs
Night Vision	Manual
Loop Recording	Support
Dimensions	89 mm *40 mm *18mm
Weight	50 gram
Stealth Mode	Support
Working Temperature	-20C° ~ 65C°
ACCESSORIES	
Standard Accessories	Camera, 360° Rotational Back Clip, USB C Cable, Manual



### 1. How to use?

If you have chosen the version without a memory card, please **insert the memory card in the following direction** for first-time use. Please note that the camera will format the memory card upon first insertion, so make sure you have backed up any data stored on the card beforehand.



#### 1.1 Power On/Off

Slide and hold the **Power Slider (No. 2)** down for 3 seconds, then release it. The Power LED (No. 07) will light up green, and you will hear a beep, indicating that the device is powered on and in standby mode.

If the LEDs flash continuously 4 times and power off, please check that the TF card is correctly inserted in the designated slot (No. 13 TF Card Slot).

Slide and hold the **Power Slider down for 3 seconds again**. The Power LED will quickly flash three times and then turn off, accompanied by a long beep from the buzzer, indicating that the camera has powered off.

**\*\*Note\*\*** Before using the device for the first time, please charge it for 2-3 hours.

### 1.2 Video Recording

To begin recording video, make sure the device is in Standby Mode, indicated by a solid green Power LED. Then, push the **Video & Audio Slider (No. 12) up to the VIDEO position**. The Video LED (No. 06) will start flashing red slowly, accompanied by a beep, signaling that the device is now recording video. To stop recording, push the slider down to the **Middle Position**. The recording will stop, and the Power LED will return to solid green with two beeps, indicating that the camera has returned to Standby Mode. When fully charged, the device can continuously record video for approximately 8 hours at 1080P resolution with night vision turned off.

### 1.3 Audio Recording (Voice Recorder)

To start recording audio, ensure the device is in Standby Mode and push the **Video & Audio Slider (No. 12) down to the AUDIO position**. The Audio LED (No. 08) will begin flashing orange slowly, accompanied by a beep, indicating that the device is now recording audio. To stop recording audio, push the slider up to the **Middle Position**. The recording will stop, and the Power LED will return to solid green with two beeps, indicating that the camera has returned to Standby Mode.

### 1.4 Check Remaining Battery

The device allows you to check the battery level in real time, so you don't miss important recordings due to low battery. In Standby Mode, **simply press the Night Vision Button (No. 1) briefly** to activate the Battery LEDs (No. 10). These LEDs indicate the remaining battery level, with each of the four LEDs representing 25%, 50%, 75%, and 100%.

### 1.4 Check Remaining Battery

You can turn off the battery display by **double-clicking** the Night Vision Button, or it will automatically turn off after 5 seconds.

### 1.5 Night Vision Function

The A1 body camera is equipped with 6 Pcs 850nm night vision LEDs. In Standby Mode or during video recording, you can activate the night vision function by **pressing and holding the Night Vision Button (No. 1) for 3 seconds**. The Night Vision LED (No. 9) will light up, and the video recording will switch to **black and white**. To exit night vision mode, press and hold the Night Vision Button (No. 1) for 3 seconds again.

Please note that enabling the night vision mode will significantly reduce the recording time, as the power consumption increases by 3-4 times.

### 1.6 Stealth Mode

While recording, slide the **Power Slider up to the LED OFF position**. In this mode, all LEDs and the buzzer will be turned off, but the recording will continue. To exit Stealth Mode, slide the Power Slider back to the **Middle Position**.

### 1.7 Reset

If the camera malfunctions, try powering it off first, then wait a few seconds and power it back on. If this doesn't resolve the issue, **use a pin to press the reset button (No. 3)** located on the left side of the camera several times before attempting to power it on again.

### 1.8 Charging the Camera

When the battery level drops below 20%, the camera will **emit a beep every 30 minutes** as a reminder that it needs to be charged.

Use a **5V output charger** (such as a mobile phone charger) and our **USB Type C cable** to charge the camera. The charging port is located at the bottom of the camera (No. 15).

During charging, the Battery LEDs will light up in sequence. Once fully charged, **all four Battery LEDs will remain solidly lit**. It takes approximately 2 hours to fully charge the camera. For first-time use, we recommend charging the camera for 2-3 hours to ensure a full charge. **Please note that, in order to protect the environment and reduce electronic waste, we do not include a charger with the camera. If you require one, please contact our customer**

## 2. Files Playback

To playback and copy files, connect the camera to your computer using a Type C data cable. This will allow the camera to function as a USB flash drive. Video files will be stored in the "VIDEO" folder, and audio files will be stored in the "AUDIO" folder.

## 3. Camera Setting

This camera is very easy to set up. You can adjust various settings by editing the TIME\_DATA.TXT file in the camera's root directory from computer. You can make the following changes:

### 3.1 Synchronize Date and Time

Open the TIME\_DATA.TXT document, which contains the following content:

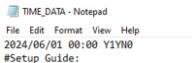
**2024/06/01 00:00 Y1YY0**

You can set the time by adjusting the date and time format to

**YYYY/MM/DD HH:MM**

Adjust the date and time, **save the changes**, and then disconnect the camera from USB and restart for the new settings to take effect. For example, if the current time is 08:55 AM on October 1, 2024, modify the document as follows and **save it** before restarting the camera:

**2024/10/01 08:55 Y1YY0**



### 3.2 Adjust Other Parameters

The meaning of the 5-digit code "Y1YY0" after the time setting is as follows:

#### #Digit 1: Video Date Watermark

Set to "Y" to enable the date and time watermark on your videos, or "N" to disable it. We recommend turning this on to include the timestamp on your recordings.

#### #Digit 2: Video Resolution

Set to "0" for 1080P resolution or "1" for 720P resolution.

#### #Digit 3: Loop Recording

Set to "Y" to enable loop recording or "N" to disable it. When loop recording is on, the camera will automatically delete the oldest video file to make space for new recordings when the memory is full. We recommend enabling this feature to ensure continuous recording without running into storage issues.

### 3.2 Adjust Other Parameters

#### #Digit 4: Buzzer

Set to "Y" to turn the buzzer on or "N" to turn it off. For clearer feedback during operation, we suggest keeping the buzzer enabled.

#### #Digit 5: Video Duration

Set to "0" for 3-minute segments, "1" for 5-minute segments, or "2" for 10-minute segments. To prevent video files from becoming too large, we recommend setting the video duration to 3 or 5 minutes.

For example, if you want to disable the timestamp, set the video resolution to 720P, enable loop recording, turn on the buzzer, and set the video duration to 5 minutes, your code should be **"N1YY1"**.

Modify this in the TIME\_DATA.TXT file, **save it** and restart the camera for the new settings to take effect.

## 4. Rotational Camera Clip

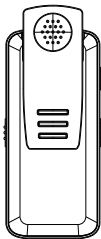
We've made significant improvements to the clip on our A1 model. Most mini body camera clips on the market are difficult to use, so we adapted the traditional body camera clip for the A1. This back clip is not only secure but also supports 360-degree rotation. Additionally, A1 is compatible with a full range of traditional body camera accessories, such as the Shoulder Clip, Car Mount, and Flat Big Alligator Clip. The A1 shares all wearable accessories with the SPIKECAM SC02 model.

### 4.1 How to Install the Back Clip

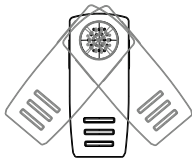
The camera comes with a removable alligator back clip. To install it, simply slide the clip into the Back Clip Slot (No. 14). You'll hear a clear "click" sound when it's securely in place.

### 4.1 How to Install the Back Clip

The clip supports 360-degree rotation, allowing you to adjust it to the desired angle for better stabilization. To remove the clip, press the metal spring at the top and pull it out. **For detailed instructions, refer to our video tutorial.**



360° Rotational



### 4.2 Other Optional Accessories

We offer a variety of optional accessories, including a Magnetic Mount, Chest Harness, Shoulder Clip, Car Mount, and Lock Clip. You can explore and purchase these options by visiting our Amazon store page. A1 model shares same accessories with Sc02 model.

## 5. Warranty

SPIKECAM offers a one-year product warranty. If you experience any issues with your product within this period, please contact our customer service at [info@spikecam.com](mailto:info@spikecam.com). Our team will respond to you within 24 hours.

## 6. Trouble Shooting

- 1. Camera will not turn on:** Please charge the camera battery for at least 2 hours, then try turning on the camera again.
- 2. Camera is unresponsive:** Press the Reset Button Hole to power off the camera, then restart it.
- 3. Device failed to connect to the computer:** Try using a different USB port on your computer or a different USB Type C cable.
- 4. LEDs do not light up:** Check if Stealth Mode is enabled (Power Slider in the LED Off position).
- 5. Recorded video occasionally shows abnormal colors:** To enhance night vision performance, we use an 850nm infrared filter. In some extreme conditions, colors may appear reddish.

**\*\*Note\*\*** If the above solutions do not resolve the issues, please contact customer service at [info@spikecam.com](mailto:info@spikecam.com). Our staff will respond to your email within 24 hours. Thank you for choosing SPIKECAM. For more information about this body camera, please visit:

<https://www.spikecam.com/a1>

or scan the QR code to watch the tutorial video.

