

**SPIKECAM Body Camera
USER MANUAL**

Model: Sc01 Plus

<https://www.spikecam.com>

Dear Customer

Thanks for ordering our SPIKECAM body-worn camera SC01 model. Before usage, please spend a few minutes reading the manual carefully. For your convenience, we have also prepared a quick video guide, please scan the QR code to watch or visit the link below.

<https://www.spikecam.com/sc01plus>

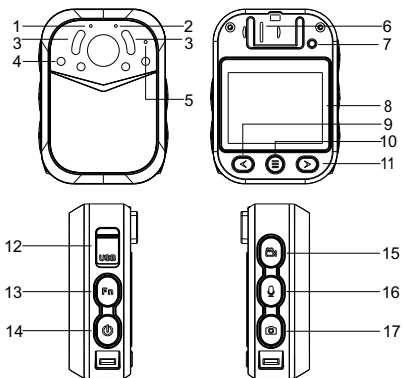
If you have any questions, please contact our customer support by email: info@spikecam.com, we will reply you within 24 hours.



Scan to watch training video

<https://www.spikecam.com/>

Diagram



- 1.Power Indicator
- 2.Status Indicator
- 3.Infrared LED x 6
- 4.SOS LED x 4
- 5.Microphone

- 10.OK/Menu Button
- 11.Right Button
- 12.USB Port
- 13.Fn Button
- 14.Power Button
- 15.Video Button
- 16.Audio Button
- 17.Photo Button

RECORDING	
Video Resolution	1440P(30FPS)/1296P(30FPS)/1080P(30FPS)/ 720P(30FPS)/ 480P(30FPS)
Video Format	.MOV
Recording Angle	Wide Angle 140 degrees
Audio	High Quality Built-in Microphone.
Pre Record	Support
Water Mark	User ID, Time and date Stamp Embedded into Video.
Frame	30FPS
Video Duration	5mins/10 mins/15 mins/30 mins
Activation prompt	Vibrator & Speaker & LED Indicators
PHOTOGRAPH	
Photo Resolution	2-48M
Photo Format	JPEG
Snap Shot	Capture Photos During Video Recording
BATTERY	
Type	Built-in 2600mAH Lithium (LiCoO2)
Charging Time	180 minutes
Battery Life	About 8 hours at 1080P@30FPS, Night Vision Off
OTHERS	
Storage Capacity	64G
IR Light	6 PCS 850nm Infrared LED
Infrared Lights Control	Manual
Night Vision	Up to 10 Meters
SOS LED	Blue and Red Flash Light
White LED	NA
Waterproof	IP66
Password Protection	Requires Password to Access to Video
Dimensions	76 mm *54 mm *26.5mm
Weight	103 gram
Working Temperature	-20C° ~ 65C°
Storage temperature	-20C° ~ 65C°
ACCESSORIES	
Standard Accessories	USB Cable, Wall Charger, Back Clip, Manual

Power On/Off

Power on:

1. Long Press Power Button(No.14) for 3 seconds, the Power Indicator(No.1) will light up green with power on sound and LCD screen will display welcome message.
2. The camera system will enter into recording standby mode.
3. The LCD will display the preview image and your body camera is ready to use.

Note: If you have set the Auto LCD Off to be

1min/3min/5min, the camera LCD screen will turn off automatically if there is no interaction with body cam.

Power off:

1. Long press the Power Button for at least 3 seconds.
2. The current recording file will be saved to the internal storage and the device will power off.

Recording Video

1. Press the Video Button(No.15) and the Status Indicator(No.2) lights up in **red** and flash. The camera will emit voice prompt.
2. The camera will enter into Video Recording Mode and begin to record. It will save a file every 5min, 10min or 15min based on your Video Duration setting in the menu.

Note: When the lighting is insufficient, press the FN Button(No.13) can enable/disable Night Mode and the Infrared LEDs.

Stop Recording Video

1. Press the Video Button again to stop video recording, the Status Indicator lights off.
2. The camera will enter Recording Standby Mode.

Recording Audio

1. Press the Audio Button(No.16) and the Status Indicator flashes in yellow color.
2. The camera will emit voice prompt, and the LCD screen will show a recording icon to indicate that the audio recording is ongoing.

Stop Recording Audio

1. Press the Audio Button again and the Status Indicator will go off.
2. The camera will be back to Recording Standby Mode.

Taking a Photo

1. When the camera is in Standby Mode or during Video Recording Mode, press the Photo Button(No. 17) to take a photo.
2. There is a photo capturing sound when taking a photo.

Files Playback

1. Long press the OK/Menu Button(No.10) until the camera enters into Playback Mode.
2. Use the Left Button(No.9) and Right Button(No.11) to select Video/Photo/Audio files and press OK/Menu Button to confirm.
3. Use the Left or Right button to cycle through the files. Press the OK/Menu button to play it. Press the OK/Menu button again to pause. Use the Photo Button to go back to file list.

Note:

- 1) **Photo button** could be used as Go Back button in Playback Mode. Use the photo button to exit playback mode
- 2) While playing back a long video, long press the Left or Right button to fast forward or rewind.
- 3) If you short press the OK/Menu Button, you may enter the Menu Mode wrongly. Press photo button to go back.

Charging Battery with USB Cable

1. Connect a USB cable with a compatible connector to a computer/wall charger.
2. Connect the USB cable to the USB port on the body camera. When charging the battery, the Status Indicator will light up in Blue. When the battery is fully charged, the Blue Power Indicator will turn off.

Connect to PC

Connect to PC via mini USB cable, it will display an USB icon on camera LCD. You will find the camera disk on the PC.

Note: If you turn on the password protection(Password Switch in the menu setting), you will have to enter the correct password to unlock the camera USB disk. The default password is 000000.

Turn on/off Night Vision

To switch on the Infrared LED (No. 3) and enable night vision mode, press the FN button once while in camera standby or video recording mode. You will observe that the 6 Infrared LEDs illuminate. To turn off night vision mode, press the FN button again.

SOS Function

There are three options for the SOS status:

1. **SOS off.** This is the default setting and the SOS function is not active.
2. **SOS lights with siren.** To activate this mode, hold the FN Button for about 3 seconds while in camera standby mode. The SOS siren sound will continuously play with periodic pauses, and the SOS LEDs (No. 4) will keep flashing.
3. **SOS with LED lights only.** If you are in mode 2 and want to turn off the siren sound, hold the FN Button for another 3 seconds. You will then see only the LED lights flashing without the siren sound. To exit the SOS mode, hold the FN button for another 3 seconds.

Parameter Setting/Menu Setting

Short press the OK/Menu Button to enter Menu Setting Mode. Use the Left and Right buttons to select the menu item. Press the OK/Menu button to modify the setting. Use the Photo Button to go back or exit Menu Setting Mode.

Submenu Details are as Below:

- 1) Video Resolution: 2560x1440 30P/2304x1296 30P/1920x1080 30P/1280x720 30P/864x480 30P.
- 2) Photo Resolution: 2M/4M/8M/10M/24M/32M/38M/48M
- 3) Video Duration: 5/10/15/30Mins. For example, if you choose 5Mins, video files will be saved every 5 min.
- 4) Watermark: On/Off. If you turn on the watermark feature, the time and date information will be embedded into the video watermark.
- 5) IR Switch: If you choose Auto, the IR lights will turn on always. Manual option would be recommended.
- 6) Button Sound: Off/On. The sound prompt when you press a button.
- 7) Auto Power Off: 1Mins/3Mins/5Mins. In standby mode, the time for the camera to automatically power off.
- 8) Loop Recording: Off/On. If you enable this feature, the camera will auto-delete the oldest video files to make storage space for the newest video files, when the memory is full.
- 9) Auto LCD Off: 1/3/5Mins. The camera LCD screen will turn off automatically if there is no interaction with body cam.
- 10) Password Setting. Use the Left/Right and OK/Menu buttons to enter the old password first, the default old password is 000000. If the old password is correct, you can input the new password in the second round. **Caution: It is very important to keep your new password in mind, if you lose it you will not be able to set up the camera in the future.** If not necessary, we don't recommend changing the password.
- 11) User ID. Use the Left/Right and OK/Menu buttons to set up your User ID. Company users may need ID information on the camera sometimes.
- 12) Device ID. Use the Left/Right and OK/Menu buttons to set up your Device ID.
- 13) Set Date Time. Use the Left/Right and OK/Menu buttons to set up the correct date and time the first time you use the camera.
- 14) Language. Use the Left/Right and OK/Menu buttons to set up the language you want to use.

Submenu Details are as Below:

- 15) Password Switch: Off/On. If you turn on the password feature, some menu settings like User ID, Device ID, Format SD Card, Default Setting, and Connect to a computer will ask for the correct password to proceed. Please keep your password in mind firmly or write it down as it is important.
- 16) Motion Detection: Off/On. If you turn on it, the camera will start video recording automatically if it detects large movement or shaking.
- 17) Car Mode: Off/On. If you turn on it, the camera will start video recording automatically if it detects any charging signal.
- 18) Pre-Record: Off/On. If you turn on the pre-record function, the camera will save a short video by itself before you press the video recording button. The length of this short video is randomly between 1-15s.
- 19) Super Storage: Enabling this feature reduces the video bitrate of the camera, resulting in a 30% increase in storage efficiency.
- 20) Voice Broadcast: When this feature is enabled, the camera will emit English voice prompts when starting or stopping video recording.
- 21) Volume Control: Adjust speaker volume to Low/Medium/High.
- 22) Silent Mode: By enabling this feature, all sounds and status light will be turned off.
- 23) GPS: Not available on this model.
- 24) Photo Burst: Selecting the options of off/2/3/4 sheets, the camera will continuously capture photos after you press the photo button.
- 25) Format SD Card. **Caution: The SD card will be formatted and all data will get lost.**
- 26) Default Setting. All settings will be restored to factory default. This operation does not delete any files in the SD card.
- 27) System Message. System information.

LCD Information



Trouble Shooting

1. Camera can not boot. Please charge the camera battery for more than 2 hours first then try to turn on the camera again.
2. Camera can not respond. Please press the Reset Button to power off the camera and then restart the camera.
3. Device failed to connect to the computer. Please change to another USB port on another computer or change to another USB cable.

Note: If the above solutions cannot solve the problems, please contact customer service email: info@spikecam.com
For more information about this body camera please visit: <https://www.spikecam.com>