

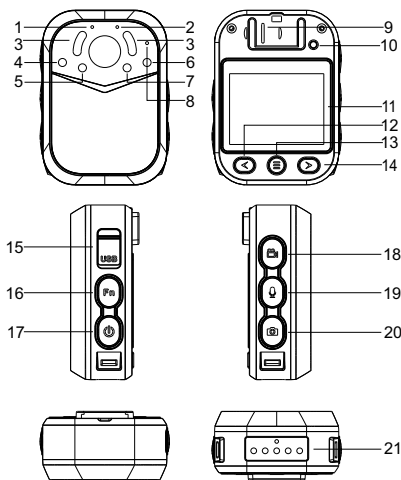
**USER MANUAL**

# Catalogue

Specification	01
Diagram	02
Charge	04
Quickstart	05
PC Software	06
FAQ	08

RECORDING	
Video Resolution	Multiple Recording Resolution 1296P(30 FPS)/1080P(30 FPS)/ 720P(30 FPS)/ 480P(30 FPS)
Video Format	.MP4 / H.264
Recording Angle	Wide Angle 140 degrees
Audio	High Quality Built-in Microphone.
Pre Record	Support
Water Mark	User ID, Time and date Stamp Embedded into Video.
Frame	4FPS, 6FPS, 8FPS, 12FPS, 16FPS, 25FPS, 30FPS
Video Duration	10 mins, 15 mins, 20 mins
Activation prompt	Vibrator & Speaker & LED Indicators
PHOTOGRAPH	
Camera	34M 14M 12M 8M
Camera Format	JPEG
Snap Shot	Capture Photos During Video Recording
BATTERY	
Type	Built-in 2400mAh Lithium (LiCoO2)
Charging Time	180 minutes
Battery Life	8 hours at 1080P@30
OTHERS	
Storage Capacity	16G/32G/64G/128G
IR Light	6PCS 850nm Infrared LED with Wide Angle
Auto IR Control	Support
Night Vision	Up to 10 Meters
SOS LED	Blue and Red Flash Light
White LED	Support
Waterproof	IP66
Password Protection	Requires Password to Access to Video
Dimensions	76 mm *54 mm *26.5mm
Weight	109 gram
Working Temperature	-20C° ~ 65C°
Storage temperature	-20C° ~ 65C°
ACCESSORIES	
Standard Accessories	USB cable, Charger, Driver CD, Single Dock, Clip

## Diagram >>>



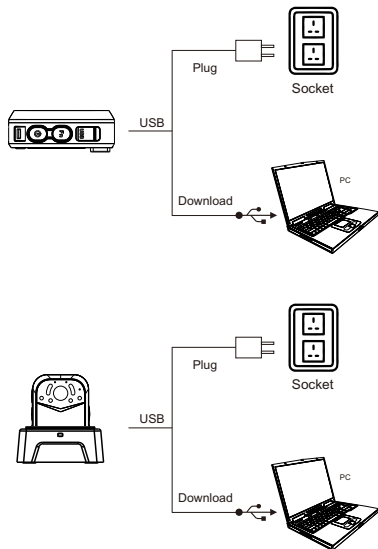
- |                      |                             |
|----------------------|-----------------------------|
| 1.Charging Indicator | 12.Left                     |
| 2.Power Indicator    | 13. Confirm/ Menu/ Playback |
| 3.Infrared LED x 6   | 14.Right                    |
| 4.Red SOS LED        | 15.USB                      |
| 5.White LED          | 16.Fn Button                |
| 6.Blue SOS LED       | 17.Power Button             |
| 7.Auto IR Detector   | 18.Video Button             |
| 8.Microphone         | 19.Audio/ SOS Button        |
| 9.Speaker            | 20.Photo/ Back Button       |
| 10.Reset Button      | 21.Charging/Data Pin        |
| 11.LCD Screen        |                             |

## Diagram >>>

No.	Item	Functions
1	Charging LED	During charging, this indicator is in blue. After finish, the blue light will be off.
2	Power LED	Green - Standby Mode Red - Video Recording Orange - Audio Recording
3	IR LED	In the night vision, IR LED helps to get a clear videos without colour. Short press Fn button to activate.
4&6	SOS LED	Long press Audio/SOS button to activate the SOS LED. Blue and Red LED will flash in rotation.
5	White LED	Long press Fn button to activate the white LED
8	Microphone	Microphone is waterproof, but make sure to clean the dust and water when necessary
*10	Reset Button	After press, the camera will be turn off. (It won't clear the data and settings)
11	LCD Screen	2.0 TFT LCD Screens helps to video preview and playback. During working status press Power button to turn if off.
12	Left Button	During standby mode, press left to zoom in. During playback, press left to rewind. In other situations, it is for up and left.
14	Right Button	During standby mode, press right to zoom out. During playback, press left to fast forward. In other situations, it is for down and right.
*13	Confirm/Menu Playback	Under preview mode, short press to enter menu, or long press to enter playback page. In other situations, this button is pressed to enter.
16	Fn Button	Under preview mode or video recording, short press to turn on IR LED, or long press to turn on white LED.
18	Video Button	Short press to start video recording, or long press to record a important video.
*20	Photo Button	Under preview mode or video recording, press to take a photo. In other situations, this button is pressed to return.


Note: Please pay attention to the items with \* \* \* .

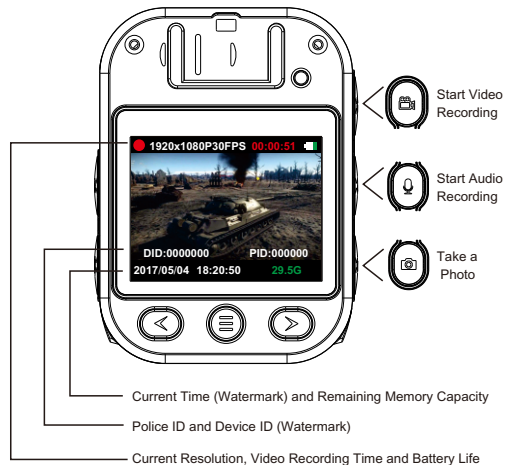
## Charging and Download



Before connect camera to USB, make sure the power voltage is not more than 5.5V. Otherwise, it will do harm to battery and burn the camera. Please use our standard charger and cord.

When charging via dock, the camera can support fast charging. (1.5A).

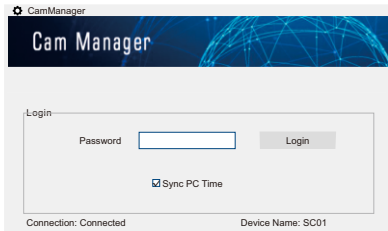
Hold and press power button  for 2 seconds to turn on camera.the unit will emit ONE audio chirp and long vibration. A green indicator on top of the unit will turn on and remain green while the unit is powered on.



To record a video, press the "Recording" button. The unit will emit 1 audio chirps and 1 vibration. A red working indicator on top of the device will turn on and remain red until recording is ended.

## PC Software >>>

Find Cammanager.exe in the CD disc, double click to open it.



### How to Login?

Default Password is 000000 (six zero).  
After entering password, then click "Login".



## PC Software >>>

### How to Change ID?

Device Information < Device ID

Device ID is with 7 characters. While Police ID is with 6 characters. After setting, click "Apply" to finish.

### Time Setting

When login the cammanager, tick the checkbox of "Sync PC Time".

### How to Change Video Recording Parameters?

- 1) Select recording video resolution(from 480P to 1296P),
- 2) Select from 4FPS to 30 FPS to choose frame rate.
- 3) Select the length of each video(from 5 to 30 Mins),
- 4) Select video quality from low to high.

### How to Change Password?

Password Setting < New Password

After login, input new password, then click "Apply" to Change password

### Other Settings

- 1) Anti-Virus function: to prevent other files generated in camera memory.
- 2) WiFi and GPS Settings are Optional. These functions are not available if there are no hardware module.
- 3) Record Notification: Camera can warn the user by vibration during recording.

Failure	Diagnose	Solution
Can not Power On	No Power	Charge camera for at least 3 hours.
	Protection Mode	Press Reset button, and restart camera
	Protection Mode	Connect Camera to PC via USB, and charge it for 30 mins.
Short Working Time	Battery Power is not enough	① First time or did not use for a long time, please discharge the battery, then charge it for at least 3 hours before use it. ② Don't charge the camera when too hot/cold.
Data Transfer is not stable	Power of USB is not enough to afford charging and download	① Use other USB port on your laptop. ② Use the dock station.
Computer can not recognize the device	USB Cable	Change the USB cord
	Forget Password	Contact your seller to reset password

## Product Warranty Card

Customer Information	Name:	
	Address:	Zip Code:
	Tel:	
Product Information	Model Name:	
	Serial No.:	
	Purchase Date:	
Failure Detail		